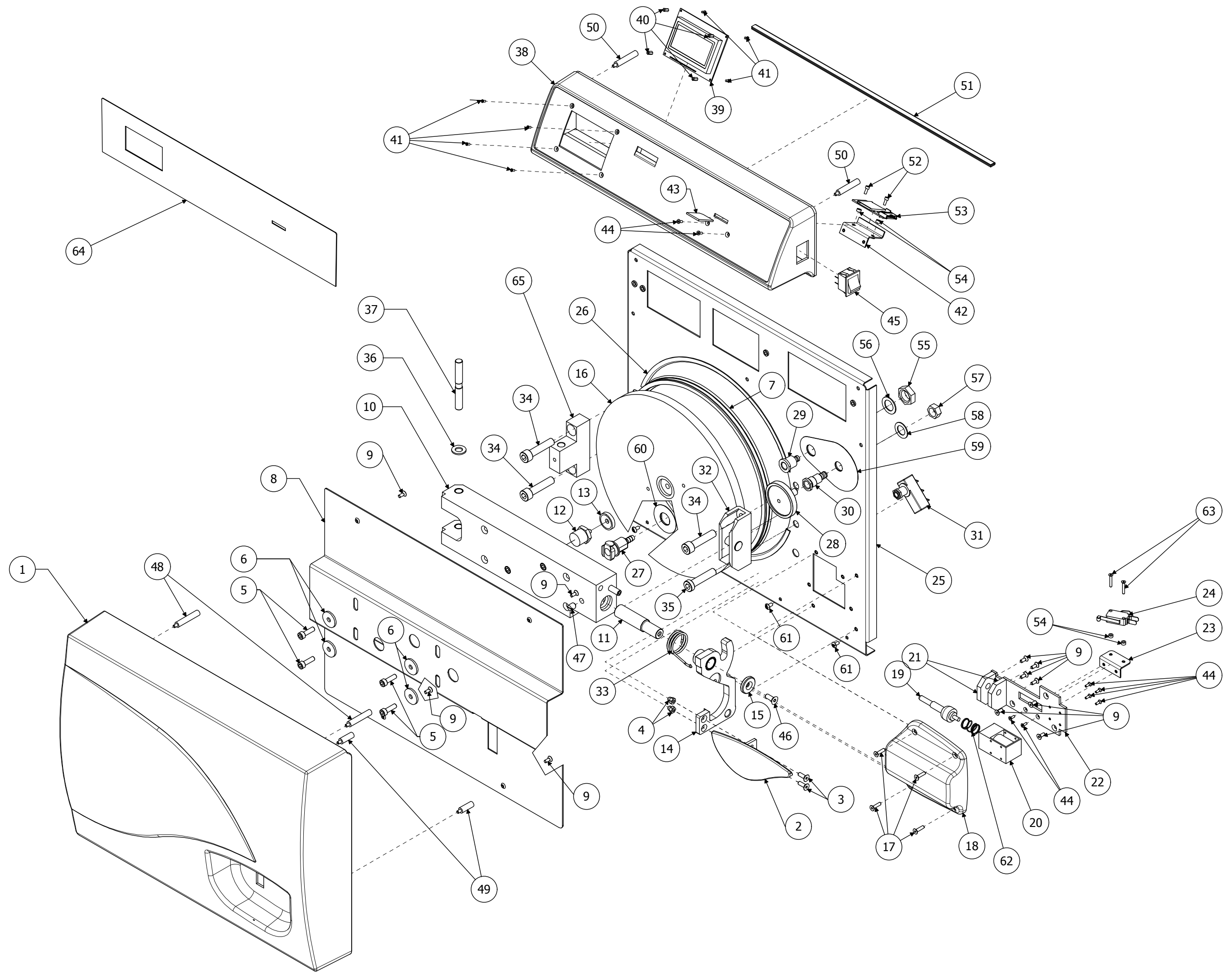


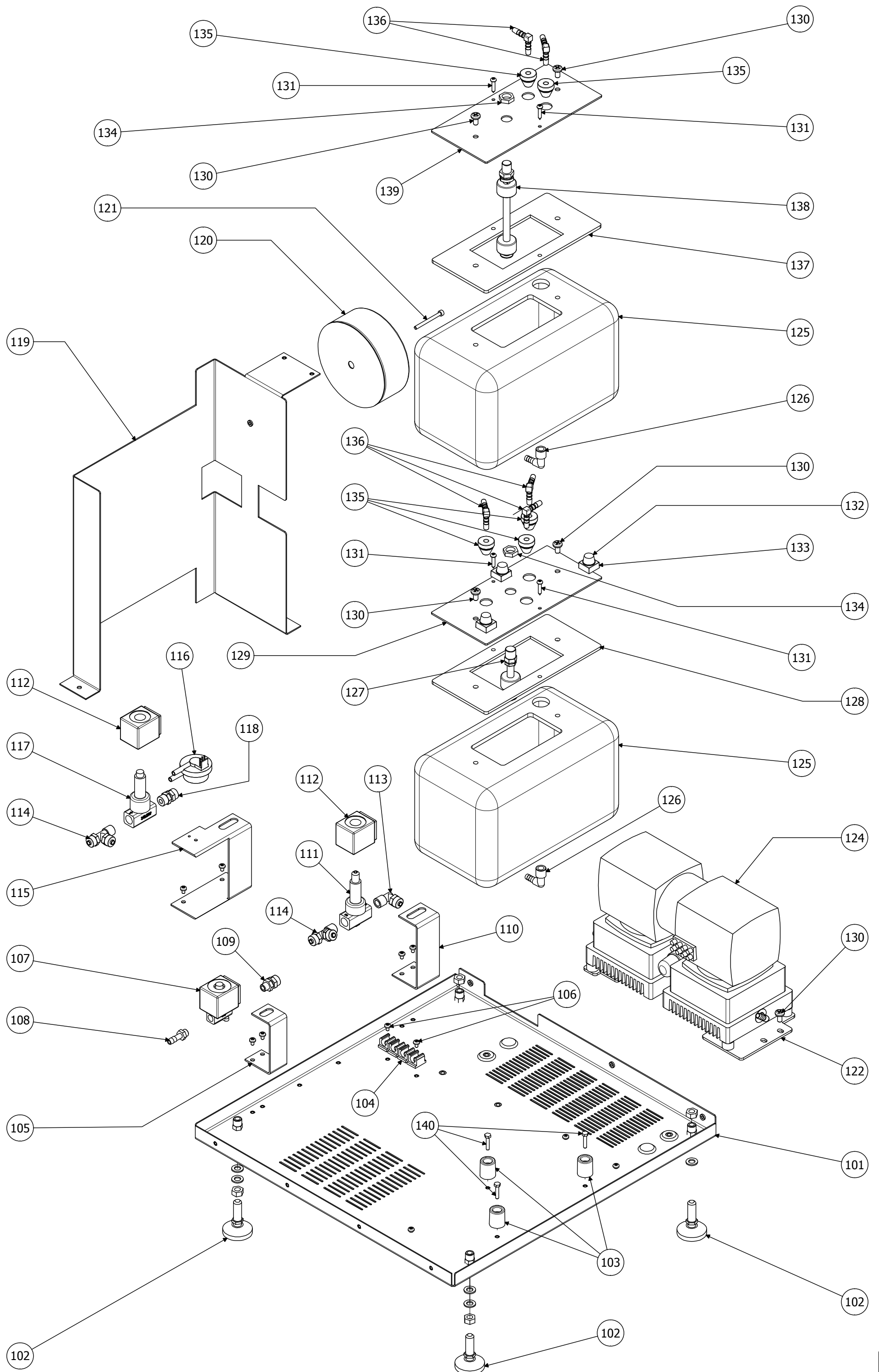
EXPLODED DRAWING AND SPARE PARTS LIST

ONYX B 5.0



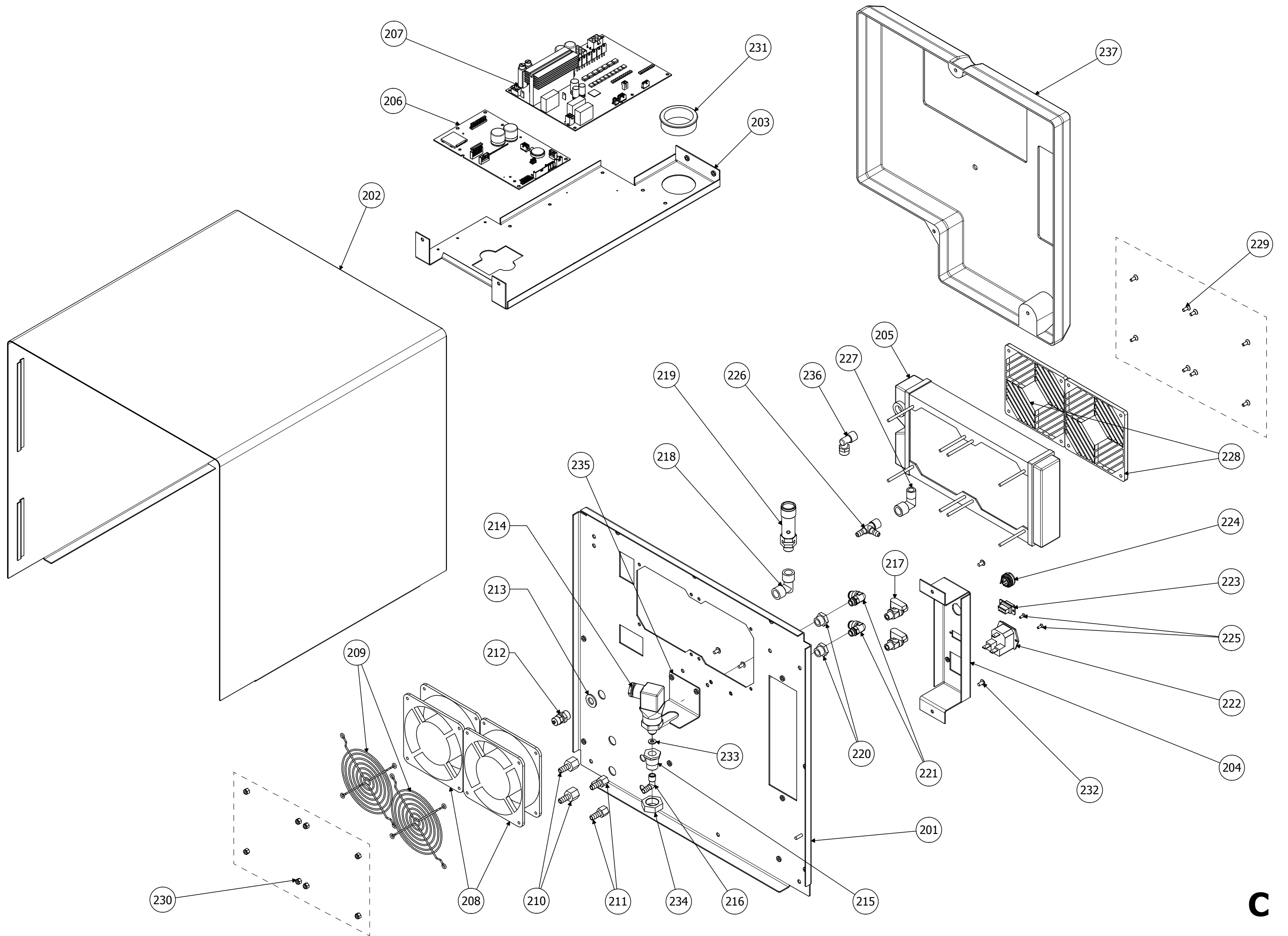
A

NUMBER	CODE	DESCRIPTION
1	DXYA800	CARTER
2	1ZXZA0103	HANDLE
3	CM15089	SCREW M5 x 16 UNI 5933 ZNB
4	CM20021	NUT M5
5	CM15017	SCREW M6 x 20 ZN
6	CM05012	WASHER 6 x 24 ZN
7	DANA038	DOOR SILICON GASKET
8	DXYA803	BACKPANEL
9	CM15011	TPSEI SCREW M4 x 10 UNI 5933 ZNB
10	SXLA312	CLOSING ARM FOR DOOR
11	DXBA045	HANDLE PIN
12	DVSA024	BRASS REGULATOR
13	DNVA025	WASHER REGULTOR
14	SXYA408	LEVER
15	DANA022	LOCKING WASHER
16	DANA015	ALUMINIUM DOOR FOR CLOSING
17	3MECB0013	SCREW TPSEI 4 x16 INOX
18	DXYA813	ELECTROMAGNET COVER
19	DXYA306	SECURITY PIN
20	CEEM002	6V ELECTROMAGNET
21	DXYA425	SAFETY BLOCK
22	DXYA809	FRAME SAFETY BLOCK
23	DXYA808	SUPPORT BRACKET SWITCH
24	CEMC005	ELECTROMAGNET SWITCH
25	1ZXYA0049	FRONT PANEL ONYX
26	CPMG002	GROOVE RUBBER
27	CPRU001	TAP
28	DAVA101	BACTERIOLOGICAL FILTER
29	DXBA710	WATER LOAD FITTING
30	CPRG049	BACTERIOLOGICAL FILTER FITTING
31	CEMC002	LEVER MICRO SWITCH
32	SXBA323	BLOCK LOCKING
33	DXBA184	LEVER SPRING
34	CM15071	SCREW UNI 5931 M10 x 45 ZBD
35	CM15072	SCREW UNI 5931 M10 x 45 ZBD
36	CM05009	BRASS WASHER
37	DANA020	HINGE PIN
38	1ZXZA0044	ONYX B CONTROL PANEL
39	1ZXYA0009	DISPLAY
40	CM45023	SPACER M2.5 x 8
41	CM15096	SCREW M2.5 x 6
42	DXYA806	SUPPORT SD CARD
43	CEGS001	SD CARD
44	CM15062	SCREW 3 x 8 UNI 7688
45	CEBB008	MAIN SWITCH ROCKER 16A
46	CM15021	SCREW TSPEI 6 x 16 ZN
47	CM25004	SCREW 8 x 30 FLAT TIP
48	3MECQ0007	SPACER TNSP-M4-8-41-I/S
49	3MECQ0008	SPACER TNSP-M4-8-22-I/S
50	CM45018	SPACER TNSP-M4-8-39-I/S
51	CPMG002	GROOVE RUBBER
52	CM15081	SCREW TCEI 3 x 10 ZN
53	DXYA056	SD BOARD
54	CM45015	NYLON SPACER R911-02
55	CM20024	NUT M16 UNI 5589
56	CM05043	WASHER Ø17 x 26 x 1,2
57	CM20011	NUT 14 x 1
58	CM05028	RONDELLA DE 14,5 x 24 x 1
59	1ZXYA0028	ADHESIVE
60	1ZXYA0034	ADHESIVE
61	CM15050	SCREW M4 x 8
62	DXBA394	ELECTROMGNET SPRING
63	CM15019	SCREW TSEI 3 x 20 UNI5933 ZN
64	1ZXZA0050	MEMBRANE KEYBOARD
65	DXBA326	HINGE



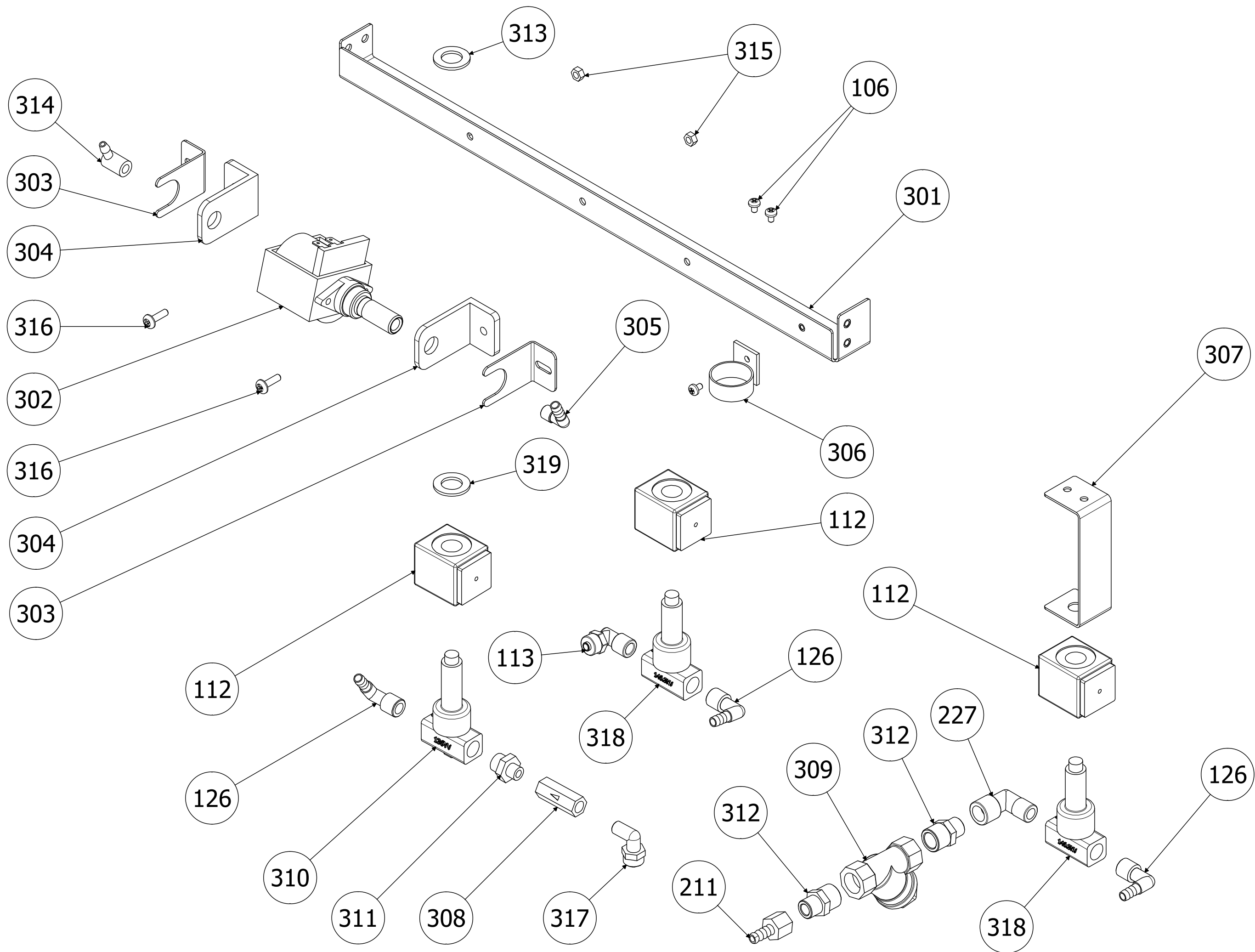
B

NUMBER	CODE	DESCRIPTION
101	DXYA811	BASE
102	CPAP012	FEET 38 DIAM.
103	CPAP010	RUBBER SPACER
104	CM30007	PIPES CLAMP
105	DXYA085	EV4 BRACKET
106	CM15023	TC SCREW 4 x 6 ZN
107	CEEG055	N.C. SOLENOID 161.4+SOLENOID KH09 24V/50Hz
108	CPRP002	FITTING 260Z 7 1/8
109	CPRG022	FITTING 151 6/8 1/8
110	DXYA080	EV6 BRACKET
111	CEEG033	N.C. SOLENOID PM139LV 3VIE P.N.3,5MM VITON
112	CEEG037	SOLENOID ZH14 24 V / 50 Hz
113	CPRG029	FITTING 150 8 x 6 1/4
114	CPRG085	FITTING 142 8 x 6 1/4
115	DXYA081	EV2 BRACKET
116	CPFL001	FLOWMETER
117	CEEG021	N.C. SOLENOID VALVE 126JV.5
118	CPRG024	FITTING 151 8/6 1/4
119	DXYA805	SUPPORT TANKS
120	CEAG002	TOROIDAL TRANSFORMER + MOUNTING KIT
121	CM15045	SCREW M4 x45 UNI5931
122	DXYA084	VACUUM PUMP BRACKET
123	CM15011	SCREW M4 x10 10.9 UNI 5933 ZNB
124	CPGM045	VACUUM PUMP
125	DXBA368	TANK
126	CPRG025	FITTING 257 1/4 DIAM. 7
127	CESL008	LEVEL SENSOR DISCHARGE TANK
128	DXBA392	DISCHARGE TANK GASKET
129	DXYA082	DISCHARGE TANK BRACHET
130	CM15018	SCREW M6 x10 ZN
131	CM15025	SCREW TCROCE 3,9 x 16 AUTOF. INOX
132	CM45010	BUMPER DISTANZIALE RBS-11
133	CM45011	BUMPER DISTANZIALE RBS-4
134	CM20010	NUT 1/4 ART.226
135	CPRG077	PASSALAMIERA IN GOMMA
136	CPRG043	PLASTIC FITTING
137	DXBA391	LOAD TANK GASKET
138	CESL009	LEVEL SENSOR LOAD TANK
139	DXYA086	CHARGE TANK BRACHET
140	CM15003	SCREW TE 4 x 20 8,8 UNI 5739 ZN



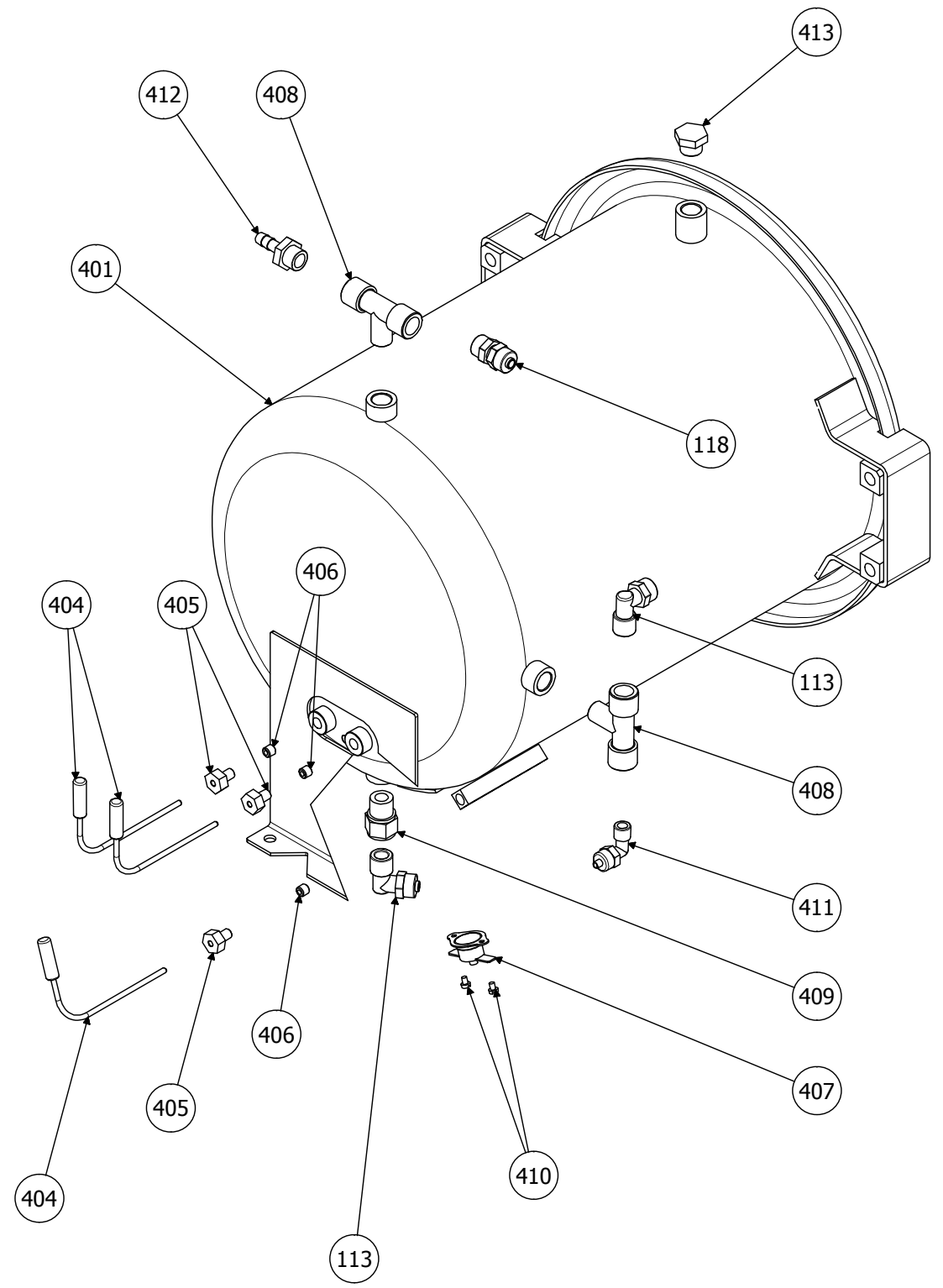
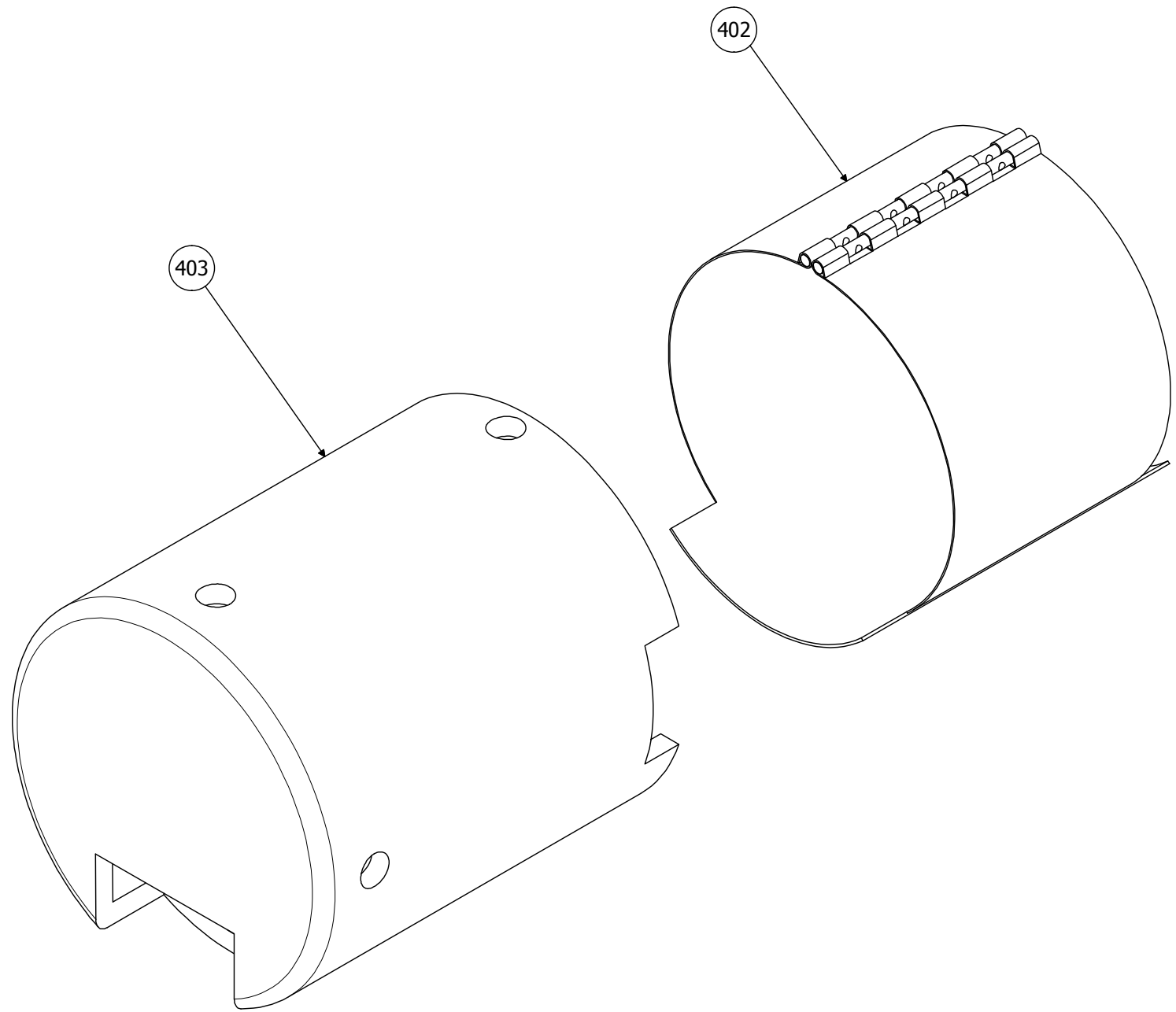
C

NUMBER	CODE	DESCRIPTION
201	DXYA873	REAR PANEL
202	DXYA812	COVER
203	DXYA877	SUPPORT BOARDS BRACKET
204	DXYA872	REAR CONNECTIONS BRACKET
205	DXYA006	RADIATOR
206	1ZXYA0008	USER BOARD
207	DXYA058	MAIN BOARD
208	CEVG002	FAN 120X38 U:TERM. 220-230V
209	CM70002	FAN GUARDS
210	CPRG056	FITTING 258 1/4 DIAM. 7
211	CPRG055	FITTING 258 1/8 DIAM. 7
212	CPRG004	FITTING 151 6 x 4 1/4
213	CM05008	FLAT WASHER M10 ZN
214	CETP004	PRESSURE TRANSDUCER
215	DXBA395	FITTING TRANSDUCER
216	CPRG032	FITTING 257 1/8
217	CPVS005	BALL VALVE MINI M.F. 1/8
218	CPRG073	FITTING 213 F-F ¼
219	CPVS004	SAFETY VALVE
220	3PNEG0004	FITTING 253Z 1/4 1/8
221	CPRG040	FITTING 6520 8 1/8
222	CEEG049	PLUG WITH FUSE
223	DXYA819	SERIAL CABLE
224	DXYA112	EV2 / OSMOSIS CABLE
225	CM15062	SCREW M3 x 8 ZB UNI 7688
226	CPRG067	FITTING PORTAG. 1/4 FIL. LAT. USCITA D7
227	CPRG010	FITTING 220 ¼
228	CM70003	PLASTIC FINGER GUARDS
229	CM15011	SCREW TPSEI 4 x 10 UNI5933 ZNB
230	CM20023	NUT M4 DIN985
231	3MECM0013	BUSH CABLE SB 2.093-29
232	CM15050	SCREW M4 x8
233	DXBA396	GASKET TRANSDUCER
234	CM20015	NUT M18 x 1,5 UNI 5589 ZB
235	DXYA887	SUPPORT TRASDUCER BRACKET
236	CPRG029	FITTING 150 8 x6 1/4
237	DXYA814	REAR COVER



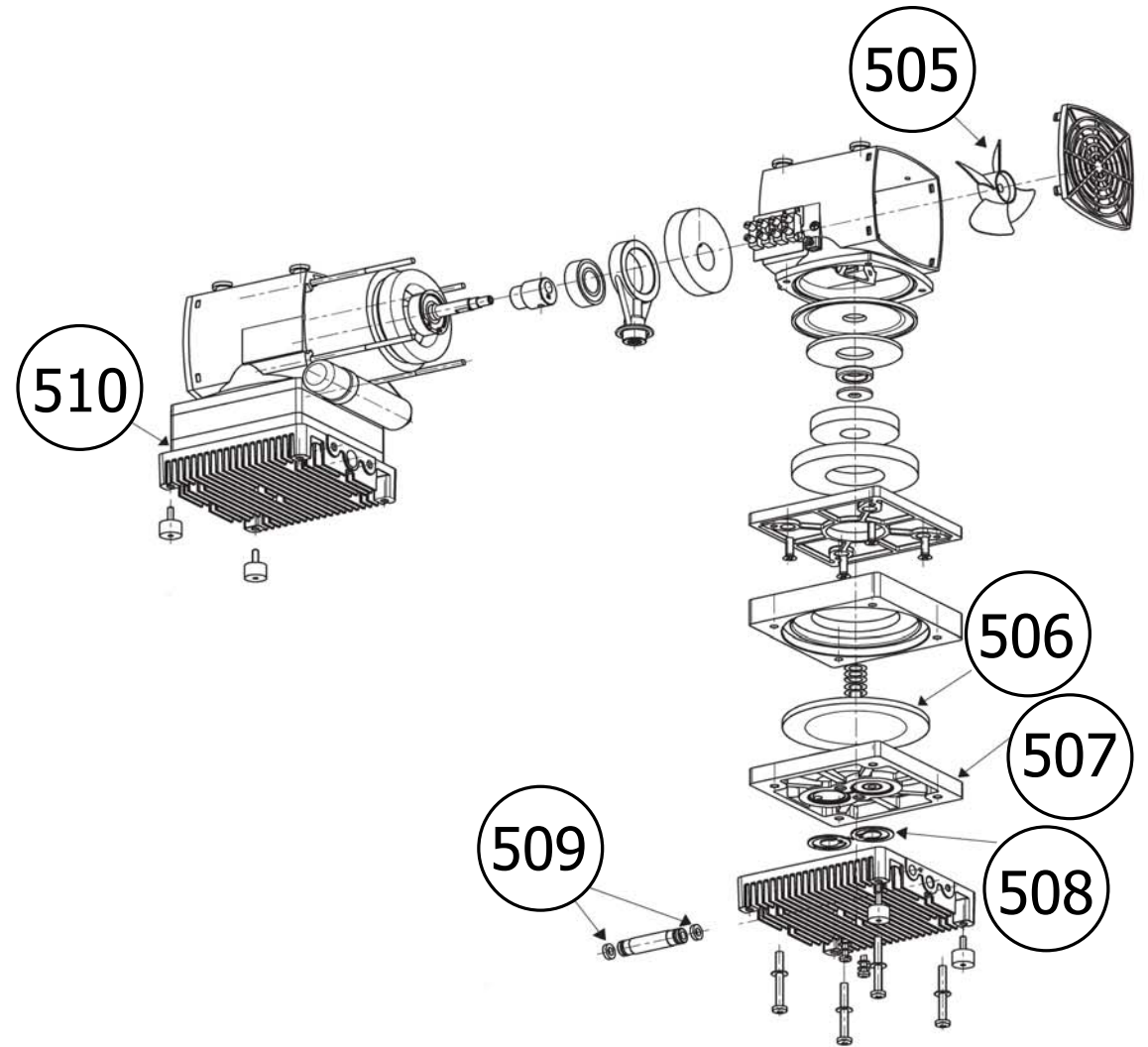
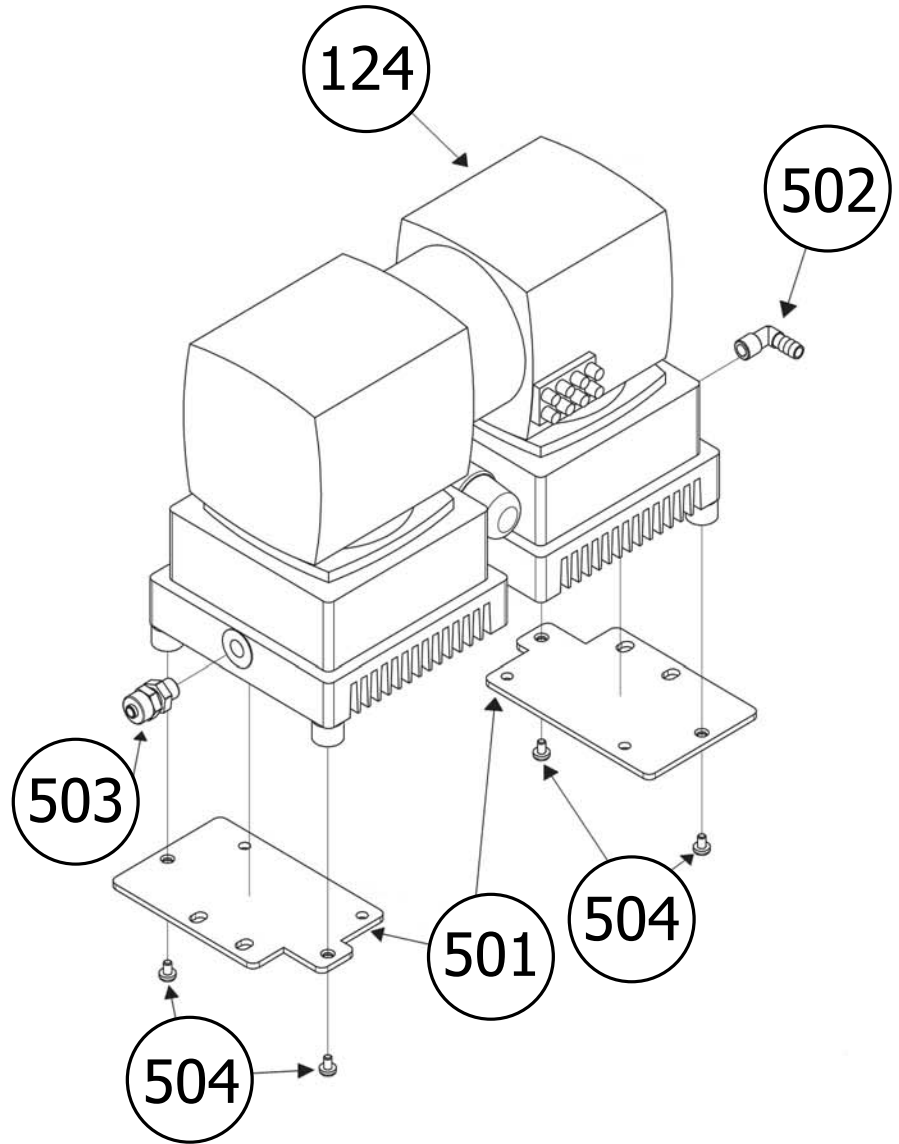
D

NUMBER	CODE	DESCRIPTION
112	CEEG037	SOLENOID ZH14 24 V / 50 Hz
113	CPRG029	FITTING 150 8 x 6 1/4
126	CPRG025	FITTING 257 1/4 DIAM. 7
211	CPRG055	FITTING 258 1/8 DIAM. 7
227	CPRG010	FITTING 220 ¼
301	DXYA078	SOLENOID VALVES BRACKET
302	CPGB003	PUMP EX5 230V-50Hz
303	DNVA018	PUMP BRACKET
304	CPGB004	VIBRATION-DUMPING SUPPORT
305	CPRG032	FITTING 257 1/8 DIAM. 7
306	CM30011	CLIP SHR-C2
307	DXYA079	EV7 BRACKET
308	CPVR001	VALVE. RIT. 1/8 OTT VITON
309	CPFR001	FILTER Y 3/8 124
310	CEEG020	N.C. SOLENOID VALVE VE136YV
311	CPRG054	FITTING 251 1/8 1/4
312	CPRG058	FITTING 251 1/4 3/8
313	CM15027	WASHER 13x24x2.5
314	CPGB005	PUMP FITTING
315	CM20003	NUT M5
316	CM15070	SCREW TC CROCE M5 x16 ZN
317	CPRG053	FITTING 150 8/6 1/8
318	CEEG021	N.C. SOLENOID VALVE. 126JV.5
319	CM15029	WASHER 15x28x2.5



E

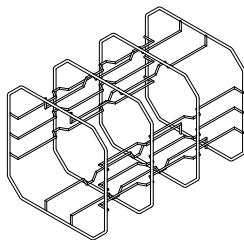
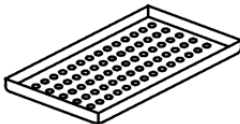

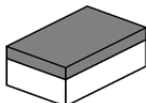



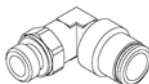

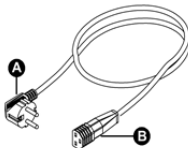
NUMBER	CODE	DESCRIPTION
113	CPRG029	FITTING 150 8 x 6 1/4
118	CPRG024	FITTING 151 8/6 1/4
401	2ZX YA0022	STEAM CHAMBER
402	DXBA835	HEATING ELEMENT 1300W
403	1ZX YA0037	CHAMBER COATING
404	CEST012	TEMPERATURE SENSOR PT1000
405	DXBA412	PT1000 NUT
406	DFAA493	PT1000 GASKET
407	CETG015	TERMOSTAT 190°C WITH MANUAL RESET
408	CPRG062	FITTING 206 ¼
409	CPRR005	FITTING 252 1/4 1/4
410	CM15073	SCREW M3 x 4 INOX
411	CPRG008	FITTING 150 6 x 4 1/4
412	CPRG057	FITTING 260Z 1/4 DIAM7
413	CPRG019	FITTING 261Z ¼



F

NUMBER	CODE	DESCRIPTION
124	CPGM045	VACUUM PUMP
501	DXYA084	VACUUM PUMP BRACKET
502	CPRG032	FITTING 257 1/8
503	CPRG022	FITTING 151 6/8 1/8
504	CM15023	TC SCREW 4X6 ZN
505	CPGM053	COOLING FAN
506	CPGM024	EPDM MEMBRANE PUMP
507	CPGM027	INTERMEDIATE PLATE 1ST STAGE
508	CPGM025	EPDM VALVE PUMP
509	CPGM043	O-RING 8 x 11 PUMP
510	CPGM028	INTERMEDIATE PLATE 2ND STAGE

G

NUMBER	CODE	DESCRIPTION	
601	1ZX YA0020	TRAY HOLDER	
602	DANA049	TRAY	
603	DANA008	TRAY EXTRACTION	
604	CPMG004	SPONGE	
605	DANA099 + DXBA711 + CPRG117	WATER FILLING PIPE (with filter and pipe fitting)	
606	DX YA130	WATER DISCHARGE PIPE (with pipe fitting)	
607	CPAP014	BLACK PLASTIC SPACER PIN	
608	CPRG040	FITTING FOR REAR TAPS DISCHARGE	
609	CPTT002	PIPE FOR DISCHARGE UTILITIES	
610	CECG006	POWER SUPPLY CORD	
611	CEGS001	MEMORY CARD	